



EATON-Rack Enclosure, Charging Station & Cooling Product Portfolio

Alex Garcia
Jim Kupiec
October 2023

SR Overview- Floor Enclosures



9 different heights

(*5 in our modular built program)

- 12U18U24U25U42U*45U*48U*50U*52U

3 different widths

(*2 in our modular build program)

- 600 mm (23.6")*750 mm (29.5")*800 mm (31.5") (future*)

5 different depths

(all *5 in our modular built program)

- 812 mm (32")* ("SD" suffix for 'shallow-depth')
- 914 mm (36")* ("MD" suffix for 'mid-depth')
- 1060 mm (42")* (no suffix, original model)
- 1160 mm (46")* ("DP" suffix for 'deep')
- 1220 mm (48")* ("DP48" suffix for 'deep-48')

Paramount



- Configured to order product
- Fully welded frame solution
- One-piece design includes cable pass-through holes
- Tool-less adjustable mounting rails as well as half-height mounting rails
- 42U, 44U, 48U, 51U; 24" & 30" widths; 42" & 48" depths
- Toolless adjustment of rails



Vantage

- Equipment mounting height of 25U, 42U and 45U
- Overall height of (42U) 79.6" (with optional casters) allows clearance through an 80" door
- 24" width
- 39" or 42" depth (including front and rear doors)
- Static load rating 2,000 lb.
- Dynamic load rating 2,000 lb.
- TAA-compliant

Colocation Cabinets



- 42U
 - 2 compartment
 - 3 compartment
 - 4 compartment
- 45U
 - 2 compartment
 - 3 compartment
- 48U
 - 2 compartment
 - 3 compartment

Rack Product Web Pages

Product Line overview resources

Page for **every** product!
See [website](#) for further details.

Server Racks & Cabinets



Tripp Lite's premium-grade floor and wall mount **server racks and cabinets** organize and secure IT equipment wherever it is located, from high-density data centers to the tightest of spaces at the edge of your network.

Compatible designs, tool-less mounting and an extensive line of rack accessories mean easier planning, faster deployments and more efficient maintenance.

- Wall-Mount
- Floor-Standing
- Open-Frame
- Special Applications
- Cable Management
- Accessories



[Shallow-Depth](#)



[Mid-Depth](#)



[Standard-Depth](#)



[Deep](#)



[Wide](#)



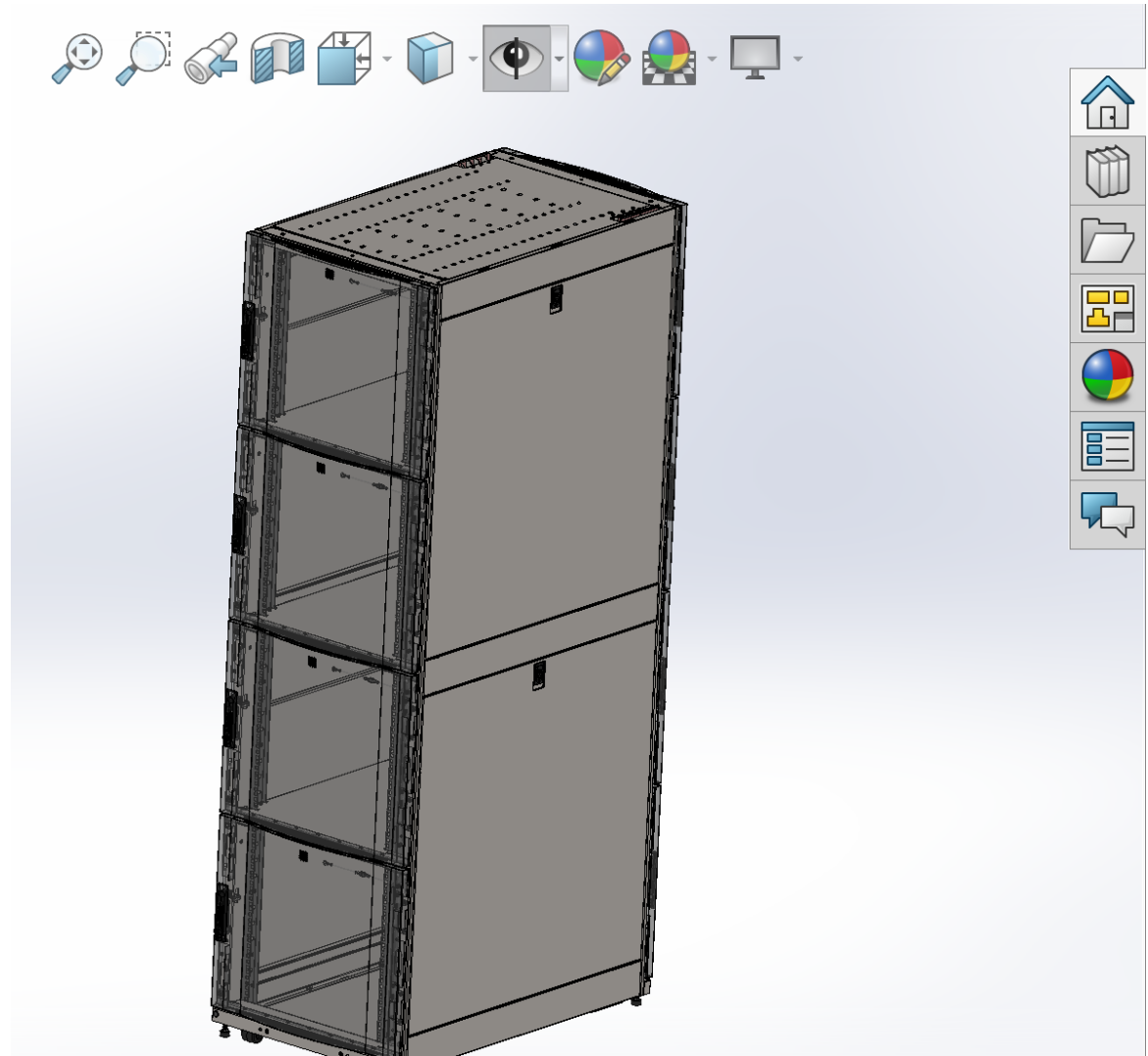
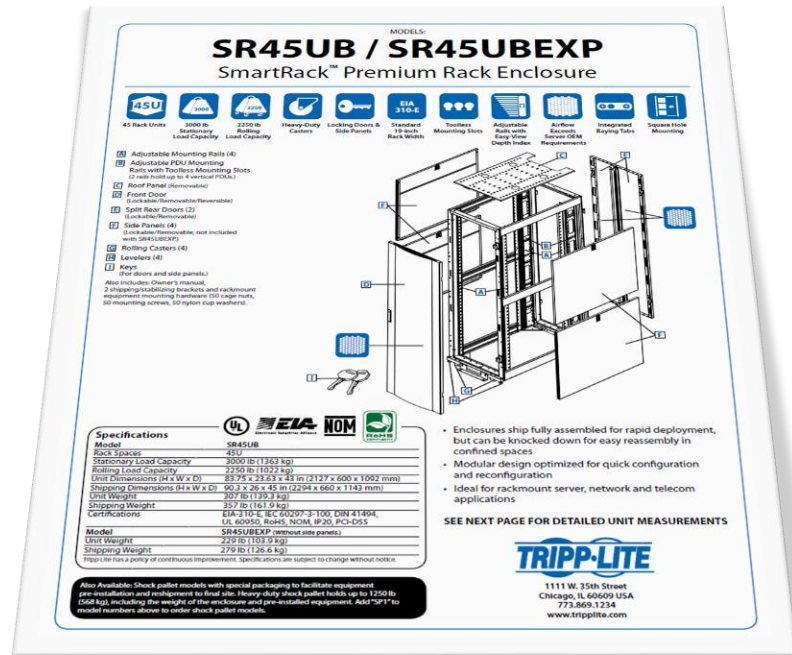
[Deep and Wide](#)

FEATURES	For devices < 28 in. deep	For devices 28 - 33.5 in. deep	For devices 34 - 39.5 in. deep	For devices > 40 in. deep	750 mm in width	For devices > 40 in. deep; 750 mm in width
RACK HEIGHT	25U - 45U	12U - 45U	25U - 48U	14U - 48U	42U - 48U	42U - 48U
MAXIMUM LOAD CAPACITY	Up to 3000 lb [1361 kg]	Up to 3000 lb [1361 kg]	Up to 3000 lb [1361 kg]	Up to 3000 lb [1361 kg]	Up to 3000 lb [1361 kg]	Up to 3000 lb [1361 kg]
DOORS	Lockable; Reversible	Lockable; Reversible	Lockable; Reversible	Lockable; Reversible	Lockable; Reversible	Lockable; Reversible
MOUNTING RAILS	Square or 10-32 hole	Square	Square or 10-32 hole	Square	Square	Square

Rack Product Web Pages

Collateral...

- 3D CAD models
- Submittal Drawings



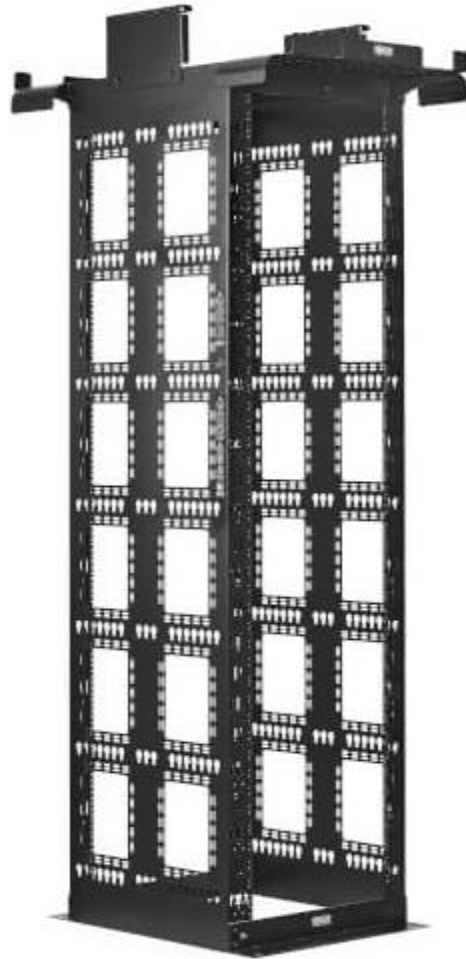
FFD (fan/filter door) Enclosures

<u>5 Heights</u>	<u>Depth</u>	<u>Orientation</u>
6U	17.5"	Floor-mount
12U	22"/33"	Wall-mount & Floor-mount
18U	33"	Floor-mount
24U	33"	Floor-mount
42U	42"	Floor-mount



Open Frame Racks

- 35 different SKUs



Wall Mount

- Enclosure

- Standard/Typical Orientation

- All wall cabinets are built at the factory with ZERO configuration (in terms of sizing) done in the states
 - 7 different heights
 - 2 different widths (to accommodate remote network installation and cable bundles)
 - 6 different depths

- Vertical Orientation

- 12 different versions in varying RU space and/or equipment depths.



- Open Frame

- Standard/Typical Orientation

- 3 Different Heights
 - 5 different depths
 - Some with adjustable depths
 - Some with adjustable heights

- Vertical Orientation

- 3 different versions in varying RU space



NEMA Enclosures

- 30 different SKUs
 - NEMA4 EIA 19"
 - NEMA3R EIA 19"
 - NEMA4 Industrial



NEMA3R: Intended for outdoor use. Provides a degree of protection against falling rain and ice formation. Constructed (with knockouts on the sides and bottom) to prevent beating rain from interfering with the successful operation of the apparatus or result in wetting of live parts and wiring within the enclosure under specified conditions. These are not rain-tight, and exposure to beating rain could result in water entering under certain conditions; nor are they water-tight, which means moisture could enter when subjected to a stream of water under certain conditions. This style of enclosure does not have a gasketed sealing surface.

NEMA4: Weather tight (weatherproof) enclosures. Constructed for either indoor or outdoor use to provide a degree of protection against falling dirt, rain, sleet, snow, windblown dust, splashing water, and hose-directed water.



NEMA Safety/First Responders Enclosures

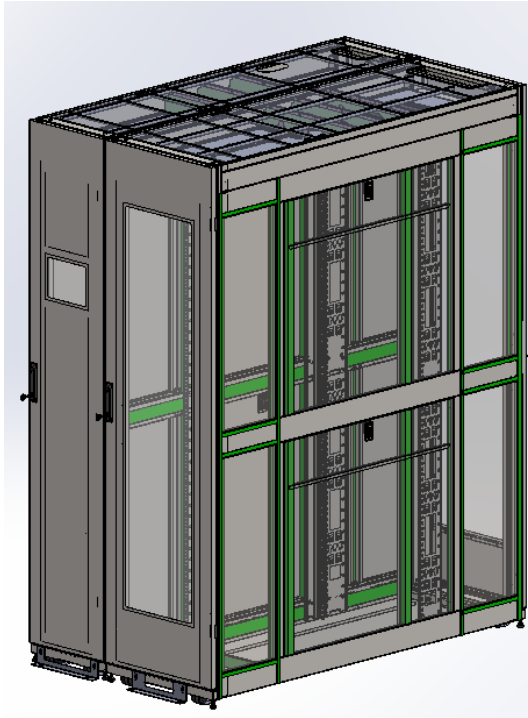
- 6 different SKUs



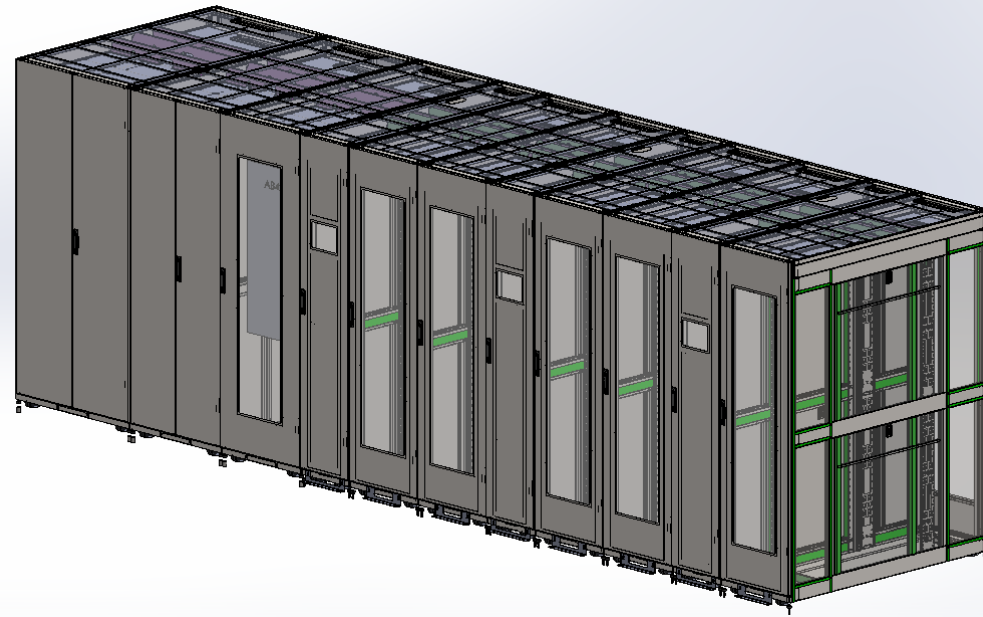
Edge Data Center Pods

Customizable for user's site
or speed of deployment

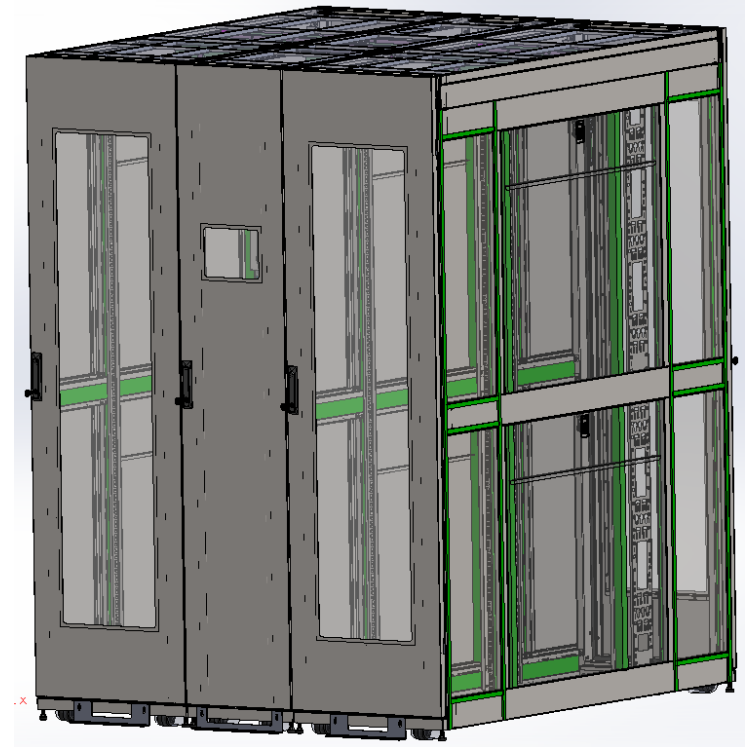
- Skid-mounted
- Slab-mounted



One IT rack= One cooler



Five IT racks = Three coolers, one distribution rack, two utility rooms

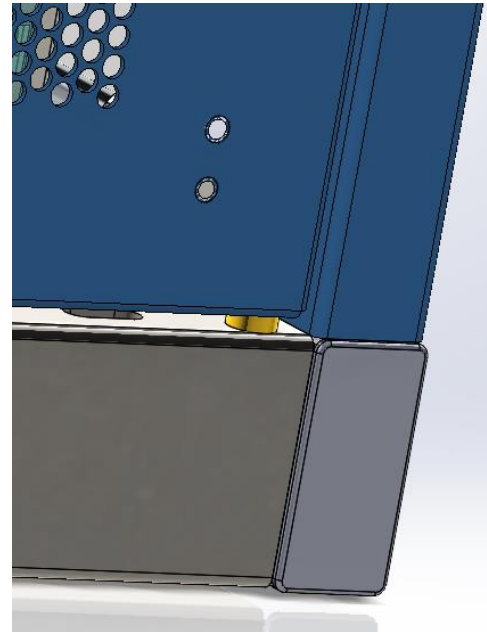
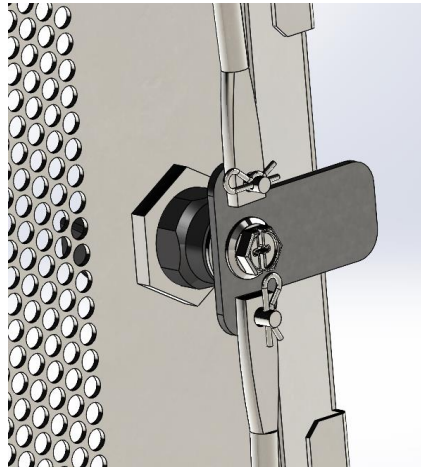


Two IT racks= One cooler

SmartRack Secure



- More robust than a traditional IT enclosure
- Multiple locking options
- Heavier gauge steel
- Fully recessed doors



Custom Builds



Retail/Back Office Example

1. Conceptual Drawings
 - Second Round of conceptual drawings (if needed)
2. Manufacturing drawings
3. Sample Production
4. Sample Received, Tested and Approved
 - Second Round of samples (if needed)
5. Production Ready Customer sign-off
6. Production Begins



Shelves, Cable Management, accessories....

Rack Accessories



Airflow Management (20)



Duct Kits (3)



Vertical Extension Modules (2)



Service Entrance Hoods (1)



Mounting Accessories (22)



Mounting Brackets (8)



Rack Shelves (16)



Grounding Bars & Panels (3)



HOME / PAGES / RACK CABLE MANAGEMENT



Charging Stations



- Model Name
- CSC21AC
- CSC27AC
- CSC32AC
- CSC32ACW
- CSC32ACWHG
- CSC32USB
- CSC32USBW
- CSC32USBWHG
- CSC36AC
- CSCXB36AC
- CSCXS36AC
- CSC42AC
- CSC45AC
- CSC48AC
- CSCSTORAGE1

Charging Stations - UV-C Device Chargers

32 slot USB

32 slot A/C



16 slot USB



No DIRECT visible light can escape the cabinet



UV light is shown for illustrative purposes.
Under normal use, the UVC lamps will not turn on if the doors are open.

Aisle Containment - Ceiling Mounted



Aisle Containment - Self Supporting



SmartRack Aisle Containment System

Want an easy way to improve cooling efficiency in your data center or server room?

Tripp Lite's SmartRack Aisle Containment System is an easy-to-assemble structure designed to keep hot and cool air separated for better temperature control and equipment performance in hot aisle/cold aisle configurations.

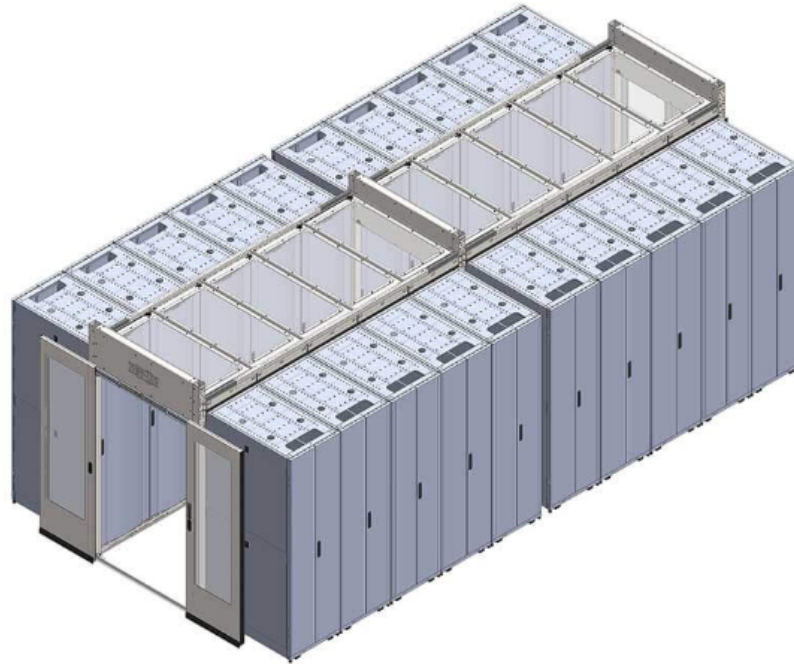
This simple solution is easy to order and install:

- Manageable kits include everything you need for assembly
- Installation does not require assistance from a contractor
- System is compatible with most brands of rack cabinets
- Modular design offers flexibility and easy DIY updating
- System is ideal for both new installations and retrofits

Find the configuration that's right for you

Number of Rows [?]	<input type="text" value="2"/>	Number of Doors Needed [?]	<input type="text" value="2"/>
Number of Racks per Row [?]	<input type="text" value="10"/>	All Racks are the Same Height [?]	<input type="text" value="Yes"/>
Rack Width [?]	<input type="text" value="600 mm (Standard)"/>	<input type="button" value="Reset"/>	<input type="button" value="Search Configurations"/>

Aisle Containment - Self Supporting



Configuration: SRACS011

Extended Configuration for 16 to 24 Standard-Width Racks

- 8 - 12 racks on each side
- Doors on both ends
- Double extension

[Print this Configuration](#)

[Show/Hide Racks](#)

Next Steps

Submit your results to our Solutions Team to confirm the recommended configuration.

[Submit Results](#)

If you need racks for your Aisle Containment System, [explore our racks.](#)

Required Components for this Configuration

Preferred Reseller:

--- select reseller ---

Part Number	Description	Qty.	Unit Price	Subtotal
SRCTMTFRM	Frame Kit	3		
SRCTMTTLBM	Telescopic Beam Kit	2		
SRCTMTSDD	Sliding Double Door Kit	2		
SRCTMTCVR600	Roof Panel, Includes 2 Magnetic Filler Panels, 600 mm	8		

Cooling

Cooling Overview



Product Offering: Spot and Precision Cooling

- **Spot Cooling** is Secondary or Hot Spot Cooling
 - Plug-n-Play and Roll-into-Place robust IT solutions
 - Mostly Non-Project Run Rate Business
- **Precision Cooling** is Primary Cooling for Micro, Small and Medium Size Data Centers
 - In-Row Cooling is Project Based Business for Small and Medium Size Data Centers
 - Scalable Solutions for Data Centers up to 300kW (12x25kW units)
 - Extremely Competitive with CRAC/CRAH Perimeter Cooling
 - Top-of-Rack Cooling for Micro-Data Centers To Support Edge Compute and Distributed IT

Spot Cooling

Perfect for Network Closets and IT Rooms

- Portable units for supplemental cooling in hot spots
- 2k BTU/hr (0.6kW) –to- 33k BTU/hr (10kW)
- Robust IT-grade design for 24/7 operation (100% duty cycle)
- Plug and Play solutions, no HVAC contractor required
- SNMP remote management network cards
- Evaporative condensate management
- Automatic restart after a power outage
- Simple and easy to use user interface
- Ducting kits and airflow accessories for IT racks

Spot cooling - Summary



	SRCOOL2KWM	SRCOOL7KRM series	SRCOOL12K series	SRCOOL24K	SRCOOL33K
Form factor	Wallmount racks	Rack-mounted	Floor-standing	Floor-standing	Floor-standing
Max cooling capacity	2 kBTU/hr (0.6kW)	7 kBTU/hr (2.0kW)	12 kBTU/hr (3.5kW)	24 kBTU/hr (7.0kW)	33 kBTU/hr (10kW)
Approx # of racks cooled per	1	1	1	2	3 ~ 4
Room size the unit can cool with no heat loads			258.3 sqft (24 sqm)	506 sqft (47 sqm)	785.8 sqft (73 sqm)
Markets	60Hz	60Hz, 50Hz	60Hz, 50Hz*	60Hz	60Hz

Spot Cooling - summary

	SRCOOL2KWM	SRCOOL7KRM series	SRCOOL12K series	SRCOOL24K series	SRCOOL33K
Cooling capacity	Up to 2,000 BTU (0.6kW)	Up to 7,000 BTU (2.0kW)	Up to 12,000 BTU (3.5kW)	Up to 24,000 BTU (7.0kW)	Up to 33,000 BTU (10kW)
Versions	SRCOOL2KWM: NEMA 5-15P	SRCOOL7KRM: NEMA 5-15P SRXCOOL7KRM: 230V/50Hz corded (no plug) only	SRCOOL12K: NEMA 5-15P SRXCOOL12K - Schuko CEE7 SRXCOOL12KA - IEC Type I SRXCOOL12KB - British BS 1363	SRCOOL24K: NEMA L6-20P	SRCOOL33K: NEMA L6-30P
Plug and play	✓	✓	✓	✓	✓*
Robust design for 24/7 operation including auto-restart	✓	✓	✓	✓	✓
Supply air duct/louver	✓	✓	✓	✓	
Exhaust air duct(s)	✓	optional	✓	✓	✓
Evaporative condensate management – no drain piping required (optional drain connection)	✓	✓	✓	✓	✓
SNMP network card for remote management and temp/humidity sensing	optional	optional	optional	✓	✓
Casters			✓	✓	✓
Ultra-simple user push-button interface	✓	✓	✓	✓	✓
Cool, dehumidification, timer, and quiet cooling modes	✓	✓	✓	✓	✓
Additional features					

* requires overhead ducting into plenum

Precision Cooling

SmartRack In-Row Precision Cooling

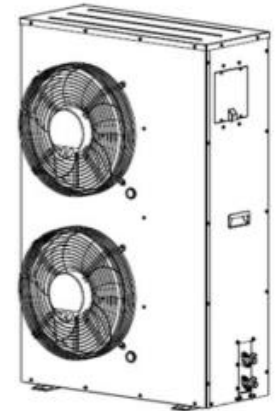
DX split-type, R410a, 60Hz, UL listed

SRCOOLDXRW12, SRCOOLDXRW25

- Ideal for small to medium size data centers up to 300kW
- Up to 25% more efficient than CRAC/CRAH cooling
- Rated Cooling Capacity 12.8kW or 25.8kW
- Equipped with remote management card, and can remote manage via PowerAlert or VPM software
- Small footprint, only 300mm wide
- Variable speed Compressor –Adapts to dynamic loads
- Front and side airflow options
- Intuitive interface, 7-in Touchscreen color display
- Condenser unit included



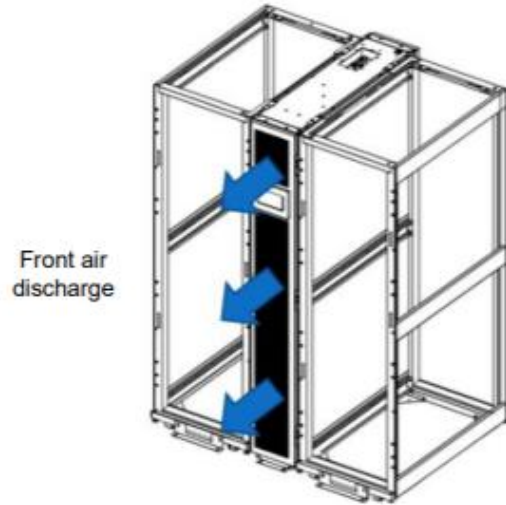
In-Row (indoor) cooler



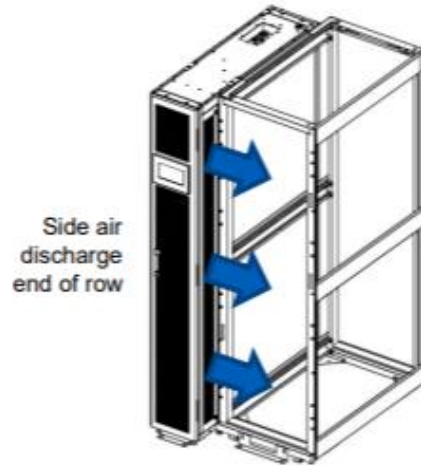
Condenser (outdoor)

Precision Cooling

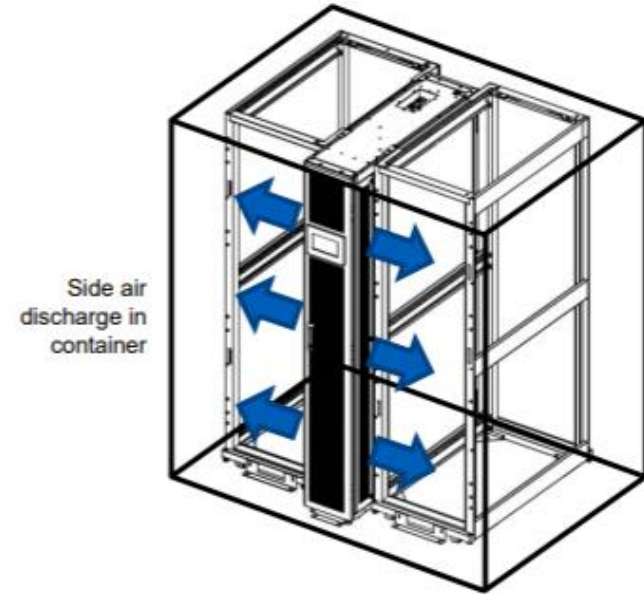
Installation Configurations



Front air discharge



Side air discharge – end of row



Side air discharge – enclosed container

Precision Cooling - Summary



Model number	Rated cooling capacity	Cabinet width	Max number of racks per In-Row (approx.)	Power input	Heat rejection type	Refrigerant
SRCOOLDXRW12	12.8kW (43.6kBTU)	300mm	Up to 3 racks	208/240V, 3ph, 60Hz	Outdoor condenser	R410A
SRCOOLDXRW25	25.8kW (88k BTU)	300mm	Up to 5 racks	208/240V, 3ph, 60Hz	Outdoor condenser	R410A

Model number	Description
SRCOOLLONGPKIT	Extension piping kit for SRCOOLDXRW series, for piping installations greater than 100ft (30m)
SRCOOLDXRWLTKIT	Low temp kit for SRCOOLDXRW series, for installation in outdoor climates below -4degF (-20degC)
Various service parts	A catalogue of service parts available

Precision Cooling – Top of Rack

SmartRack™ Top of Rack Precision Cooling

DX self contained, R410a, 60Hz, UL listed

SRCOOL3KTP

- Up to 3.5kW cooling capacity
- Self Contained unit
- Ideal for distributed IT and remote edge locations
- Only 9U height
- Fully variable speed – constant rack temperature
- Emergency ventilation – optional fall-back system
- 7 inch high-res color display
- Sold separately or pre-assembled to 25U or 33U Rack
- Equipped with remote management card, and can remote manage via PowerAlert or VPM software



Top of Rack Cooling System with matching IT rack

Precision Cooling

Cooling model number	Description
SRCOOL3KTP	3.5kW (12k BTU), 9U, 208-240V, 1ph, 60Hz, R410A refrigerant
SRCOOL3KTP25U	Bundle Kit Assembled: 3.5kW Cooling Unit + 25U Rack
SRCOOL3KTP33U	Bundled Kit Assembled: 3.5kW Cooling Unit + 33U Rack
IT rack model numbers	
SR25UBAC	25U available, semi-air-sealed, SmartRack cabinet, designed to fit SRCOOL3KTP
SR33UBAC	33U available, semi-air-sealed, SmartRack cabinet, designed to fit SRCOOL3KTP
Accessories	
SRCOOLTMVENT	Emergency ventilation fallback kit for Top of Rack Cooling System, SRCOOL3KTP
SRCOOLTPDUCT	Exhaust duct accessory for SRCOOL3KTP.

Bundled Kits Models



SRCOOL3KTP25U
(SRCOOL3KTP + SR25UBAC)



SRCOOL3KTP33U
(SRCOOL3KTP + SR33UBAC)

Key Takeaways

As mentioned earlier, try the website first! www.tripplite.com

- **Every SKU has its own web page**
- **Each page has full product specifications (along with features and product details)**
- **Most product pages have submittal drawings**
- **Some have CAD models (.stp files) but all step files for every SKU are available by request**

Channel Solutions Engineering
CPDISalesEngineering@eaton.com
773-869-1234



EATON

Powering Business Worldwide