



## Eaton Tripp Lite series slat wall system

### Easily customize a display solution for shared workspaces

The Eaton Tripp Lite series slat wall system is an easy-to-customize solution for elevating monitors in homes, offices, schools, workshops, studios, training facilities and anywhere else work or computing takes place. It has five components that are sold separately: a slat rail with desk-clamp posts, an additional slat rail for greater capacity and three different VESA-compliant monitor mounts.

With the ability to be installed on the edge of almost any desk, cubicle workstation, lab workbench or art table, the system is a design-forward, space-saving way to add adjustability to monitors for one or more users. The system is also TAA compliant, making it suitable for government contracts.

### Create a custom slat wall system

#### Flexible, space-saving display solution

Elevate flat-panel monitors from 13 to 32 inches to save space in work areas. Start with the slat rail with posts (*DMSWKITAA*) and add one or more monitor mounts (*DMSW1332STAA*, *DMSW1332MTAA* or *DMSW1332LTAA*). For more capacity, add another slat rail (*DMSWSLATTA*).



The slat rail has grooves on both sides, allowing back-to-back desks or tables in open-plan offices to share the same system. Both users can have their own monitor setup without purchasing duplicate rails and posts.

#### Universal installation

The slat rail with posts (*DMSWKITAA*) clamps onto the edge of a desk or table from 1.18 to 3.78 inches thick, making it easy to move if requirements or furniture arrangements change. The monitor mounts accommodate displays with 75 x 75 mm or 100 x 100 mm VESA mounting hole patterns.

### Optimize viewing angles

#### Adjustable positions and angles

Monitor mounts can slide anywhere along the slat rail, allowing users to find the perfect viewing setup or push monitors out of the way when they are not needed. Tightening the locking screw prevents movement. The mounts tilt, swivel and rotate to optimize viewing angles and improve ergonomics. For greater reach and adjustability, choose a single-extension (*DMSW1332MTAA*) or dual-extension (*DMSW1332LTAA*) mount.

### Comply with federal contracts

#### TAA compliance

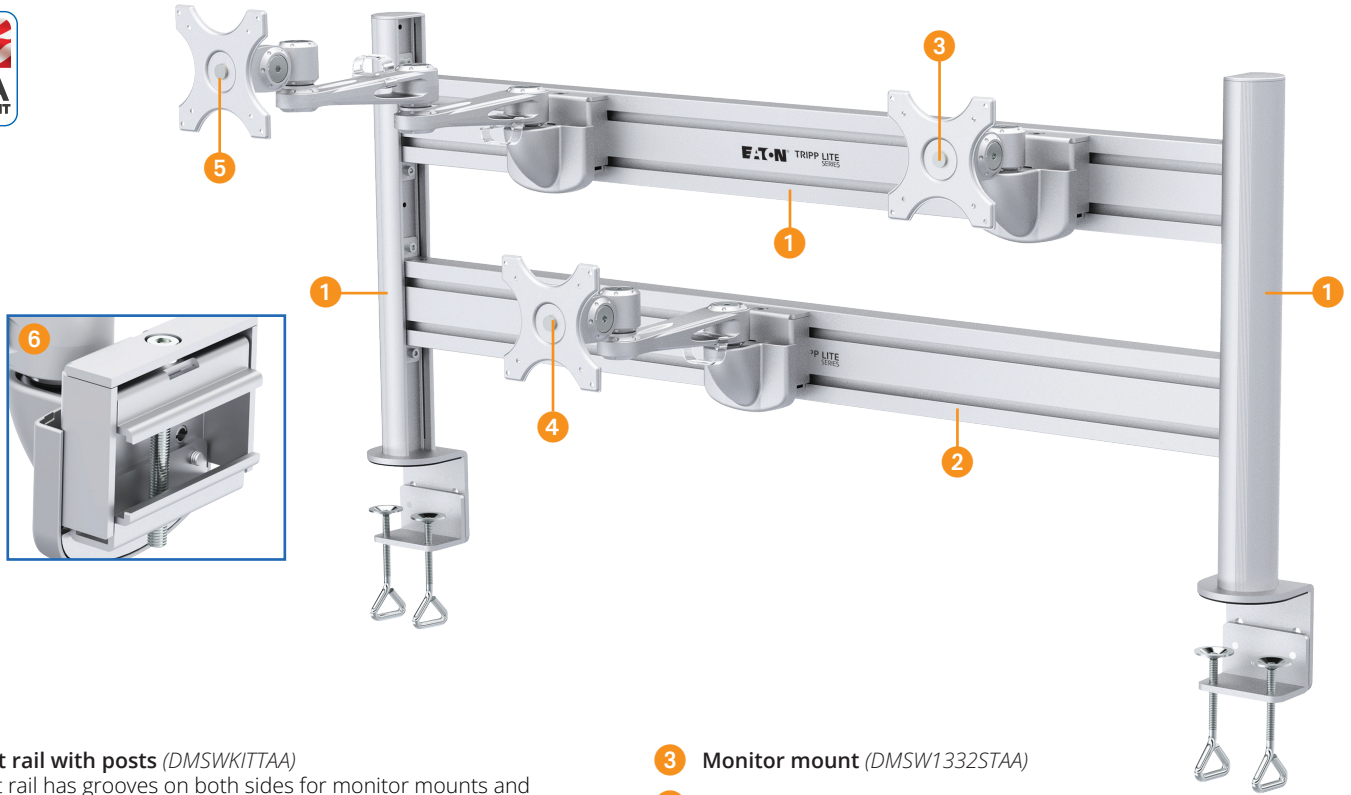
The slat wall system complies with the federal Trade Agreements Act (TAA), making it eligible for General Services Administration (GSA) Schedule contracts and other government or military contracts. Beyond the federal level, many state and local government contracts now require or prefer TAA-compliant products.



# EATON

Powering Business Worldwide

## Slat wall system feature focus



- 1 Slat rail with posts (DMSWKITAA)**  
Slat rail has grooves on both sides for monitor mounts and other accessories. Posts clamp to desk or table edges from 1.18 to 3.78 inches thick.
- 2 Single slat rail (DMSWSLATAA)**  
Add to the slat rail with posts to increase capacity. There are grooves on both sides.
- 3 Monitor mount (DMSW1332STAA)**
- 4 Single-extension monitor mount (DMSW1332MTAA)**
- 5 Dual-extension monitor mount (DMSW1332LTAA)**
- 6 Rear view of monitor mounts**  
The mounts are designed to slide across the slat rail. Tightening the locking screw prevents movement.

## Specifications

Slat rail				
Catalog number	Description	Max. clamping thickness	Unit size, H x W x D	Max. weight capacity
DMSWKITAA	Slat rail with posts	1.18 to 3.78 in.	17.7" x 43.5 x 3.5 in.	33 lb.
DMSWSLATAA	Single slat rail	—	3.5 x 39.8 x 1.3 in.	33 lb.

\*Height above the mounting surface.

Monitor mounts for slat rail									
Catalog number	Number of extensions	Mounting profile (slat to display)	Supported screen sizes	Max. weight capacity	VESA mounting hole patterns, mm	Tilt	Swivel	Rotate	Unit weight
DMSW1332STAA	—	5.5 in.	13 to 32 in.	22 lb.	75 x 75, 100 x 100	±15°	±90°	360°	2.5 lb.
DMSW1332MTAA	1	10 in.	13 to 32 in.	22 lb.	75 x 75, 100 x 100	±15°	±90°	360°	2.9 lb.
DMSW1332LTAA	2	16 in.	13 to 32 in.	22 lb.	75 x 75, 100 x 100	±15°	±90°	360°	3.6 lb.

All models in the slat wall system are TAA compliant and have a 5-year warranty. Due to continuous improvement programs, all specifications are subject to change without notice.

To learn more, visit [TrippLite.Eaton.com](https://TrippLite.Eaton.com) or scan the QR code.



**Eaton**  
1000 Eaton Boulevard  
Cleveland, OH 44122  
United States  
[Eaton.com](https://Eaton.com)

© 2024 Eaton  
All Rights Reserved  
Printed in USA  
BR153186EN / 24-05-079  
June 2024

Eaton is a registered trademark.

All other trademarks are property of their respective owners.

Follow us on social media to get the latest product and support information.

